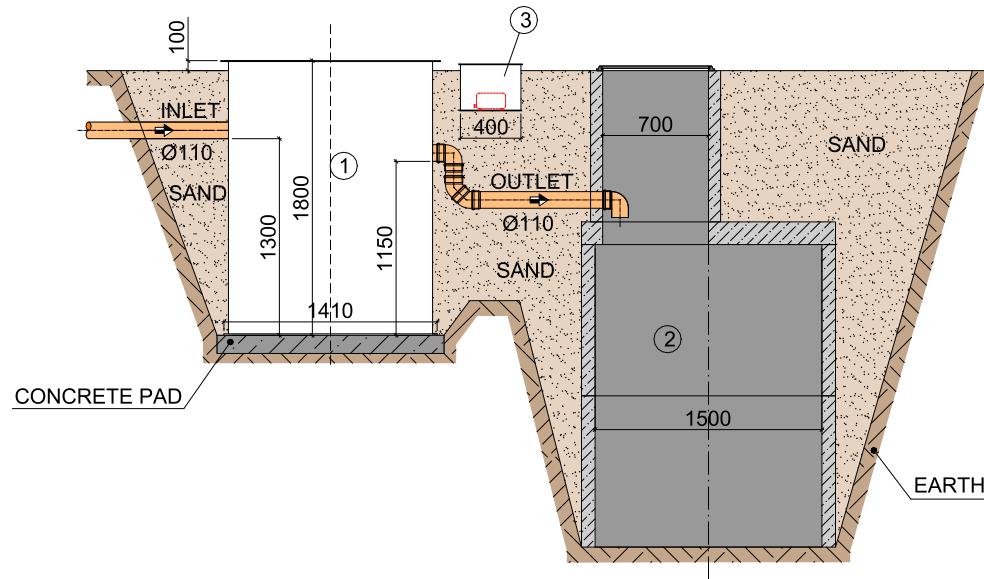
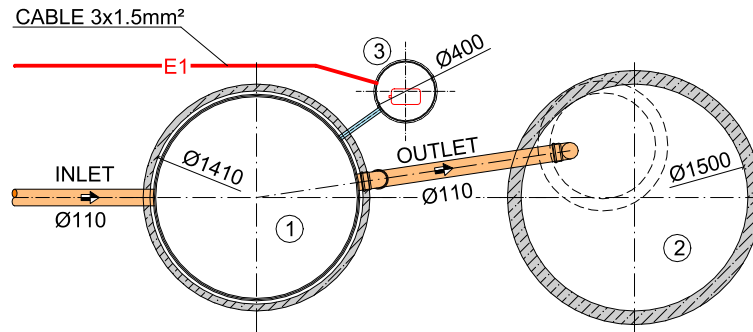


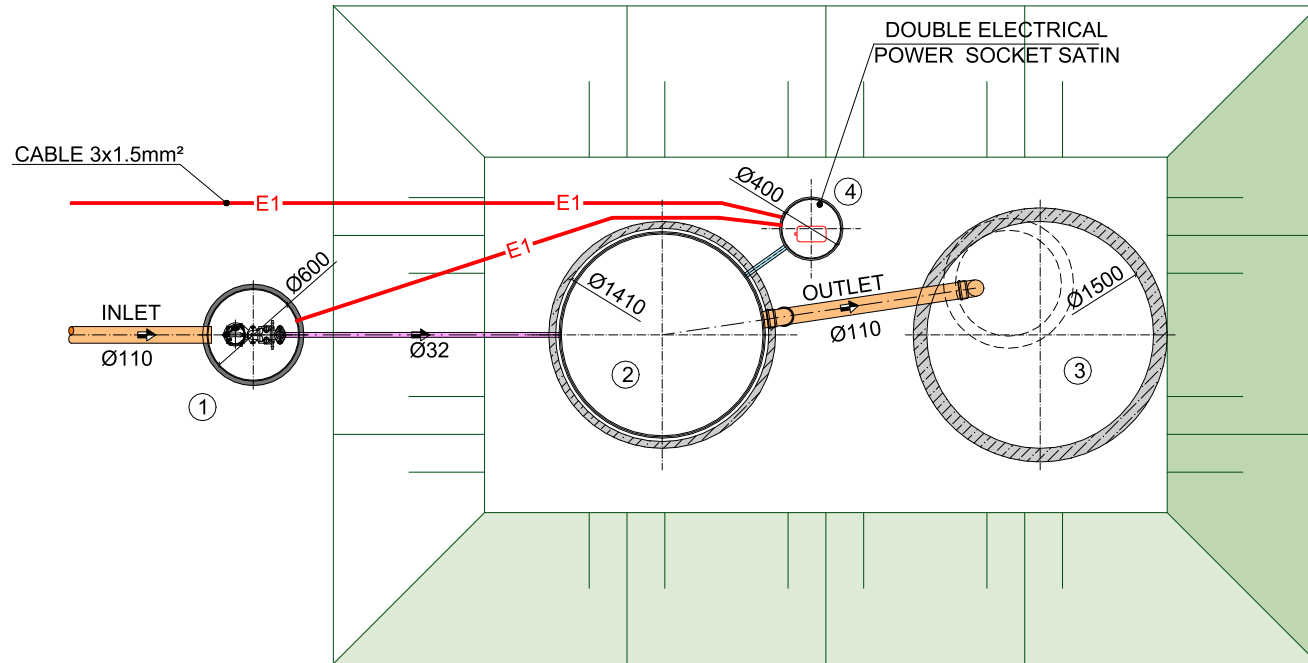
VISUALIZATION



EXPLICATION:

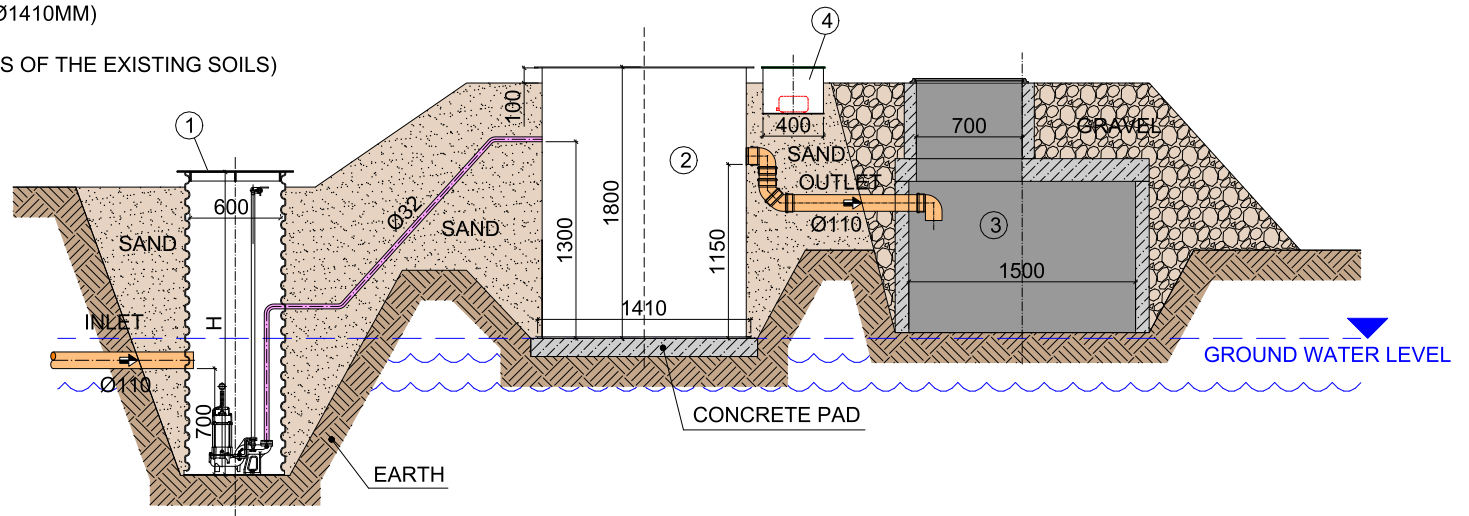
1. WASTEWATER TREATMENT PLANT AT-6 (Ø1410MM)
2. INFILTRATION WELL (Ø1000MM-Ø2000, DEPENDS ON THE FILTRATION PROPERTIES OF THE EXISTING SOILS)
3. AIR BLOWER TANK (Ø400MM)

VISUALIZATION



EXPLICATION:

1. PUMP STATION ( $\varnothing 600\text{MM}$ )
2. WASTEWATER TREATMENT PLANT AT-6 ( $\varnothing 1410\text{MM}$ )
3. INFILTRATION WELL ( $\varnothing 1000\text{MM}-\varnothing 2000$ ,  
DEPENDS ON THE FILTRATION PROPERTIES OF THE EXISTING SOILS)
4. AIR BLOWER TANK ( $\varnothing 400\text{MM}$ )



NOTE:

THE HEIGHT OF THE PUMPING STATION (H) DEPENDS ON THE SPECIFIC SITE CONDITIONS



AT-6 INSTALLATION DIAGRAM B